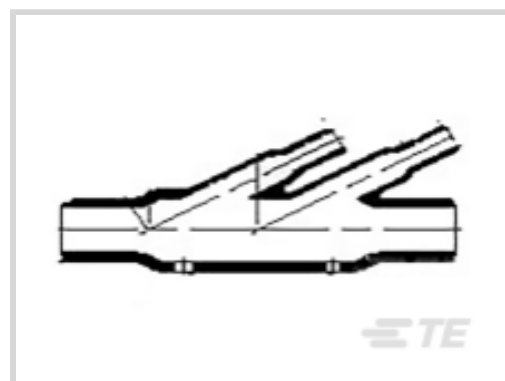




Wire Protection & Management > Heat Shrink Shapes > Cable Transitions & Breakouts



Molded Part Shape: **Y Shape**

Number of Branches & Legs: **4**

Material Code: **770**

Material Systems Code: **770**

Adhesive Requirement: **Adhesive Purchased Separately**

Features

Product Type Features

Molded Part Shape	Y Shape
Size Code	422

Configuration Features

Number of Branches & Legs	4
Adhesive Requirement	Adhesive Purchased Separately

Body Features

Material	NBCCS
Material Code	770
Material Systems Code	770

Dimensions

Inside Diameter Range (Leg 2)	11.4 – 20.6 mm [.45 – .81 in]
Inside Diameter Range (Leg 3)	11.4 – 20.6 mm [.45 – .81 in]
Inside Diameter Range (Body)	11.4 – 34.3 mm [.45 – 1.35 in]
Inside Diameter Range (Leg 1)	11.4 – 20.6 mm [.45 – .81 in]

Usage Conditions

Heat Shrink Tubing Resistance	Radiation
Operating Temperature Range	-55 – 125 °C [-67 – 257 °F]

Operation/Application

Power Cable Accessory	No
-----------------------	----

Other

Molded Part Shape Code	462A
Fluid & Chemical Resistance	Chemical, Biological, Radiological & Nuclear (CBRN)

Product Compliance

[For compliance documentation, visit the product page on TE.com>](#)

EU RoHS Directive 2011/65/EU	Compliant
EU ELV Directive 2000/53/EC	Compliant
China RoHS 2 Directive MIIT Order No 32, 2016	No Restricted Materials Above Threshold
EU REACH Regulation (EC) No. 1907/2006	Current ECHA Candidate List: JUNE 2022 (224) Candidate List Declared Against: JUNE 2022 (224) Does not contain REACH SVHC
Halogen Content	Low Bromine/Chlorine - Br and Cl < 900 ppm per homogenous material. Also BFR /CFR/PVC Free
Solder Process Capability	Not applicable for solder process capability

Product Compliance Disclaimer

This information is provided based on reasonable inquiry of our suppliers and represents our current actual knowledge based on the information they provided. This information is subject to change. The part numbers that TE has identified as EU RoHS compliant have a maximum concentration of 0.1% by weight in homogenous materials for lead, hexavalent chromium, mercury, PBB, PBDE, DBP, BBP, DEHP, DIBP, and 0.01% for cadmium, or qualify for an exemption to these limits as defined in the Annexes of Directive 2011/65/EU (RoHS2). Finished electrical and electronic equipment products will be CE marked as required by Directive 2011/65/EU. Components may not be CE marked. Additionally, the part numbers that TE has identified as EU ELV compliant have a maximum concentration of 0.1% by weight in homogenous materials for lead, hexavalent chromium, and mercury, and 0.01% for cadmium, or qualify for an exemption to these limits as defined in the Annexes of Directive 2000/53/EC (ELV). Regarding the REACH Regulation, the information TE provides on SVHC in articles for this part number is based on the latest European Chemicals Agency (ECHA) 'Guidance on requirements for substances in articles' posted at this URL: <https://echa.europa.eu/guidance-documents/guidance-on-reach>

Compatible Parts



TE Part # CJ2087-000
HL2010E-KIT-120V



TE Part # 889431-000
S1264-KIT-1

Documents

Product Drawings

[462A422-770-0](#)

English

Datasheets & Catalog Pages

[1654025_Sec4_-770](#)

English

[Raychem Molded Parts Visual Guide](#)

English

Product Specifications

[Molded Components Nuclear, Biological, Chemical Contamination Survivable Modified Fluoropolymer, Radiation Crosslinked, Heat Shrinkable](#)

English

Product Environmental Compliance

[Safety Datasheet](#)

[Safety Datasheet](#)

English

[Safety Datasheet](#)

French

[Safety Datasheet](#)

German

[Safety Datasheet](#)

[Safety Datasheet](#)

[Safety Datasheet](#)